

## Choice PR2n 2 Channel Programmer



### Benefits

---

The Choice PR2n is a two channel programmer, designed for separate control of your heating and stored hot water. The heating and hot water programs are independent of each other, giving you the opportunity to save money and control your heating in the most energy saving manner possible.

The programmer can be configured for 24 hour, 5/2 day or 7 day operation with the flexibility of up to three on/off timings per day.

- Preprogrammed but can easily be changed to suit your particular lifestyle
- Large and clear to read illuminated display
- Attractive modern design that will suit all contemporary homes
- Suitable for pumped or gravity systems

### Features

---

- 24 hour, 5/2 day and 7 day selectable
- 2 or 3 ON/OFF periods selectable
- 1,2 or 3 hour boost
- Advance to next programmed event
- Automatic Summer/Winter time change
- Holiday feature
- Program options - ON, OFF, All day or Auto
- Mains powered with battery backup
- Standard wall plate - simple plug in and replace

### Applications

---

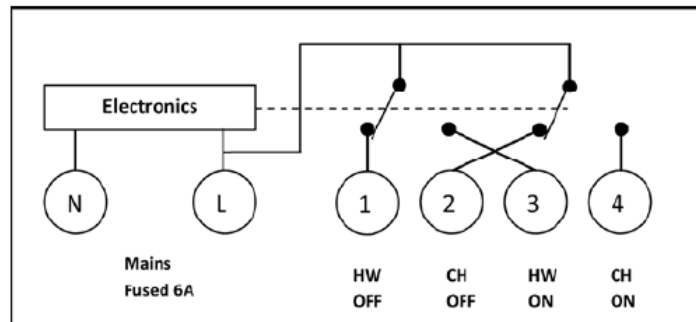
- Fully pumped central heating systems using mid-position valves, spring return valves or power open, power closed valves.
- Gravity hot water, pumped heating systems with or without motorised valves fitted into the domestic hot water primary circuit.

## Technical Data

Power Supply:	230V AC, 50Hz
Operating Temperature:	0°C to 40°C
Switch Rating:	230V AC, 2(1)Amp (per channel)
Contact Type:	1B , Micro-Disconnection
Battery Type:	Lithium Cell CR2032
Enclosure Protection:	IP30
Plastics:	Thermoplastic, flame retardant
Insulation Class:	Double
Wiring:	For fixed wiring only
Backplate:	Industry standard
Dimensions:	140mm x 87mm x 37mm
Clock:	12 hour am/pm, 1 minute resolution, accuracy +/- 1.5 sec/day
BST/GMT time change:	Automatic
Program Cycle:	24hr, 5/2day or 7day selectable.
Program On/off per day:	2on/off, 3on/off selectable,
Program resolution:	10mins
Program Selection:	Auto, On all day, On constant, off
Program Override:	1, 2 or 3 hour, Advance
Heating System:	Pumped or Gravity
Complies with :	EN60730-1, EN60730-2.7, EMC Directive 2004/108/EC, LVD Directive 2006/95/EC

## Electrical Connections

### Internal Wiring Diagram



## Contact Us: 01475 745131

### CUSTOMER CARE POLICY

As part of Sangamo's continuous improvement program, the Company operates a Customer Care Policy. This means that we welcome your comments and complaints, as it can only help us to improve our services to you, our customer.

**SANGAMO**

Sangamo Limited, Industrial Estate, Port Glasgow,  
Renfrewshire PA14 5XG

Tel: 01475 745131 Fax: 01475 744567

Email : [enquiries@sangamo.co.uk](mailto:enquiries@sangamo.co.uk) Web: [www.sangamo.co.uk](http://www.sangamo.co.uk)