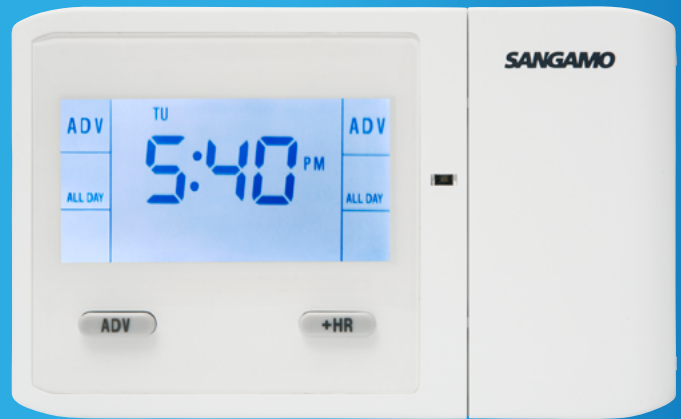


## Choice PR1si 1 Channel Programmer w/ Service Interval Function



### Benefits

The Choice PR1si is a single channel programmer with service interval functionality to ensure compliance with 'Gas Safety (Installation and Use) Regs 1998'. It is mandatory that all landlords carry out an annual gas safety check on gas appliances in their rented properties and this device is intended to act as a supplementary aid to enabling compliance.

The Choice PR1si allows the service interval to be set after completion of the boiler service and to activate after a period (i.e. 12 months when the gas safety check is due). If the warnings are ignored and the safety check becomes overdue the Choice PR1si can be set to fully or partially shut down the boiler.

### Features

- 24 hour, 5/2 day and 7 day selectable
- 2 or 3 ON/OFF periods selectable
- 1,2 or 3 hour boost
- Advance to next programmed event
- Automatic Summer/Winter time change
- Holiday feature
- Program options - ON, OFF, All day or Auto
- Mains powered with battery backup
- Standard wall plate - simple plug in and replace

### Service Interval Features

- Full or partial shutdown of the boiler once a service period is overdue
- Service period is set by installer using unique key code (0-400days)
- Visual warnings via the display and the display backlight are shown with 28 days & 7 days remaining and when overdue
- Full shutdown will prevent the boiler operating until the Choice PR1si is reset
- Partial shutdown allows the boiler to operate for a variable 15 minutes every programmed hour to ensure some heat is still available

### Applications

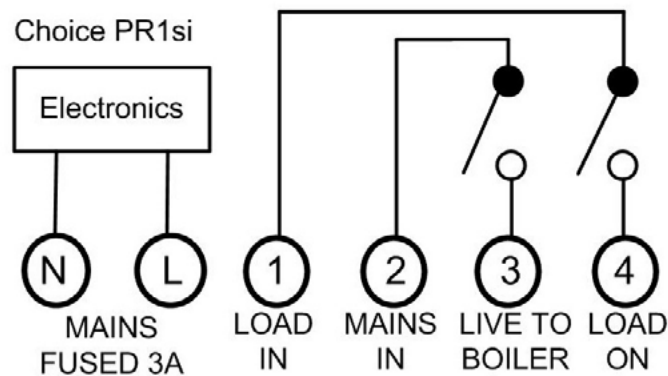
- For rented accommodation where access to carry out the statutory annual gas safety check is difficult
- Combination ('combi') boiler systems

## Technical Data

Power Supply:	230V AC, 50Hz
Operating Temperature:	0°C to 40°C
Total Switch Rating:	230V AC, 2(1)Amp
Contact Type:	1B , Micro-Disconnection (Voltage Free)
Battery Type:	Lithium Cell CR2032
Enclosure Protection:	IP30
Plastics:	Thermoplastic, flame retardant
Insulation Class:	Double
Wiring:	For fixed wiring only
Backplate:	Industry standard
Dimensions:	140mm x 87mm x 37mm
Clock:	12 hour am/pm, 1 minute resolution, accuracy +/- 1.5 sec/day
BST/GMT time change:	Automatic
Program Cycle:	24hr, 5/2day or 7day selectable.
Program On/off per day:	2on/off, 3on/off selectable,
Program resolution:	10mins
Program Selection:	Auto, On all day, On constant, off
Program Override:	1, 2 or 3 hour, Advance
Heating System:	Pumped
Complies with :	EN60730-1, EN60730-2.7, EMC Directive 2004/108/EC, LVD Directive 2006/95/EC

## Electrical Connections

### Internal Wiring Diagram



## Contact Sangamo: 01475 745131

### CUSTOMER CARE POLICY

As part of Sangamo's continuous improvement program, the Company operates a Customer Care Policy. This means that we welcome your comments and complaints, as it can only help us to improve our services to you, our customer.

**SANGAMO**

Sangamo Limited, Industrial Estate, Port Glasgow,  
Renfrewshire PA14 5XG

Tel: 01475 745131 Fax: 01475 744567

Email : [enquiries@sangamo.co.uk](mailto:enquiries@sangamo.co.uk) Web: [www.sangamo.co.uk](http://www.sangamo.co.uk)