

# 5W LED EMERGENCY LIGHT



www.espuk.com

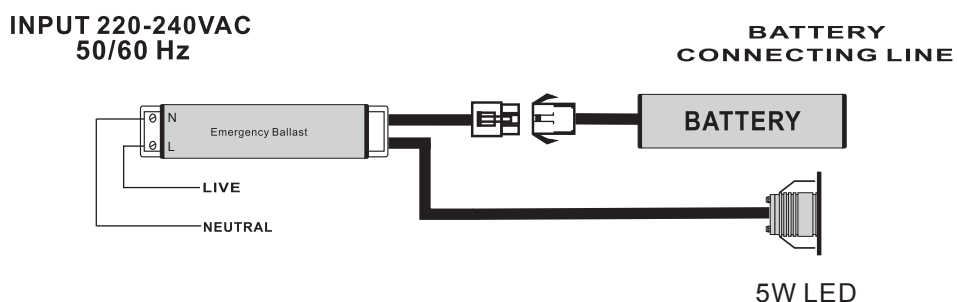
## TECHNICAL PARAMETERS:

1. Performance figures measured at 25°C
2. Rated input Voltage: 220-240V 50/60Hz
3. Battery type: 4.8V 4500mAh Ni-Cd
4. Duration: 3 hours

## NOTE

1. Please read installation instructions before connecting to mains supply. Ensure no polarities are reversed.
2. Switch off mains supply before replacing the LED lamp or battery.

## DIAGRAM



## INSTALLATION DRAWING

