

aperta

APDSSWKP | SINGLEWAY VIDEO DOOR STATION WITH KEYPAD



USER MANUAL



www.espuk.com



Contents

System Components	3
Installation	4
System Connections Example 1	5
System Connections Example 2	6
Lock Connections Example 1	7
Lock Connections Example 2	7
Door Station Programming Guide	8
User Guide	10
Installer's Guide	11

System Cabling

All system cabling (excluding mains 240vAC supply) has been tested with Cat5E UTP PVC cable.



Part Number - A8NFORCE5EUTP

Find this product online:
elandcables.com | Cables & Accessories | LAN Cable | Cat 5E UTP PVC Cable



System Components



APDSSWKP
Door Station

Optional Accessories



APMONW/ APMONB
Monitor white/black



APMONWG/ APMONBG
Monitor white/black



EVBPSBB
Lock Power Supply



EV-EXIT
Push To Release



EV-EBG
Emergency Release



EV-ML-250/500XT
Electro-magnetic Lock

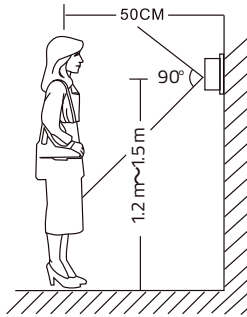


ENTERD
Electric Lock

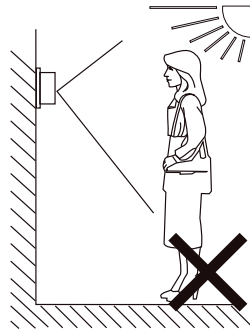
Installation



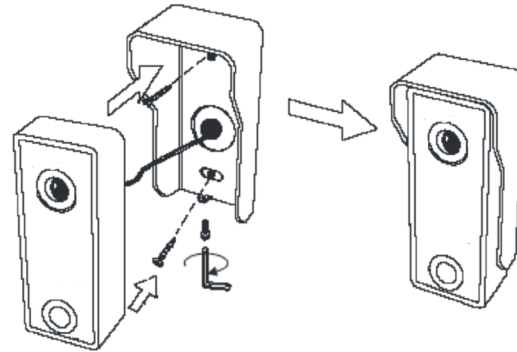
Site the door station a recommended 1.5 meters from the ground, or to suit application.



The camera needs to point in the direction of where a visitor will stand during operation.



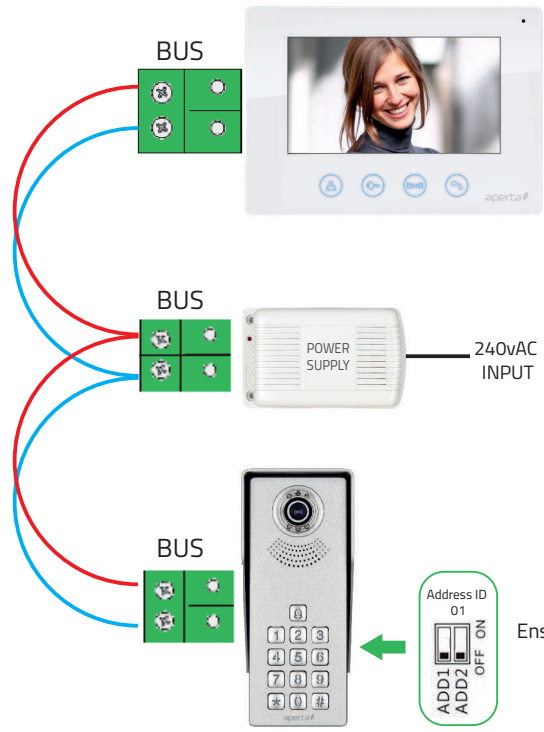
Avoid areas of high sunlight and noise levels.



Surface mount the sunshield of the door station and connect the system cabling. Mount the camera to the sunshield by fixing with the supplied hex screw.



System Connections Example 1



MASTER Refer to instructions supplied with monitor for MASTER/ SLAVE configuration

Total cable run should not exceed 150 meters between door station and monitor

Power supply to be with-in 100 meters of monitor

No cable or connection polarity

Address ID 01

ADD1 OFF ON

ADD2 OFF ON

Ensure the Address ID switches are both set to OFF




System Connections Example 2

The system power supply can support up to 5 devices

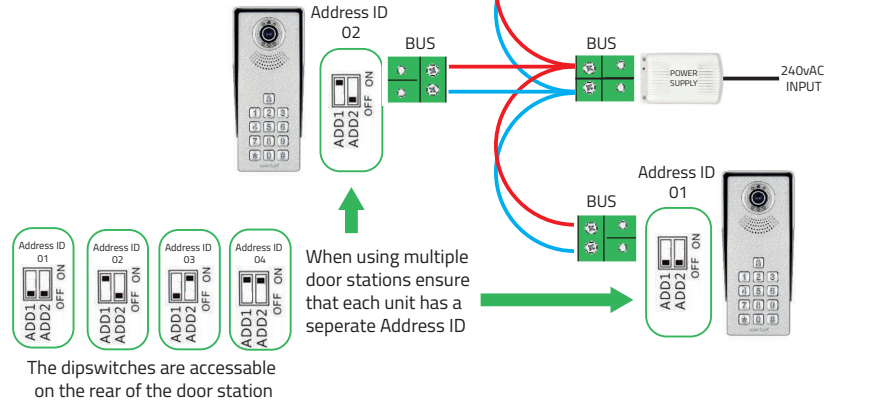
Total cable run should not exceed 150 meters between door station and monitor

Power supply to be with-in 100 meters of monitor

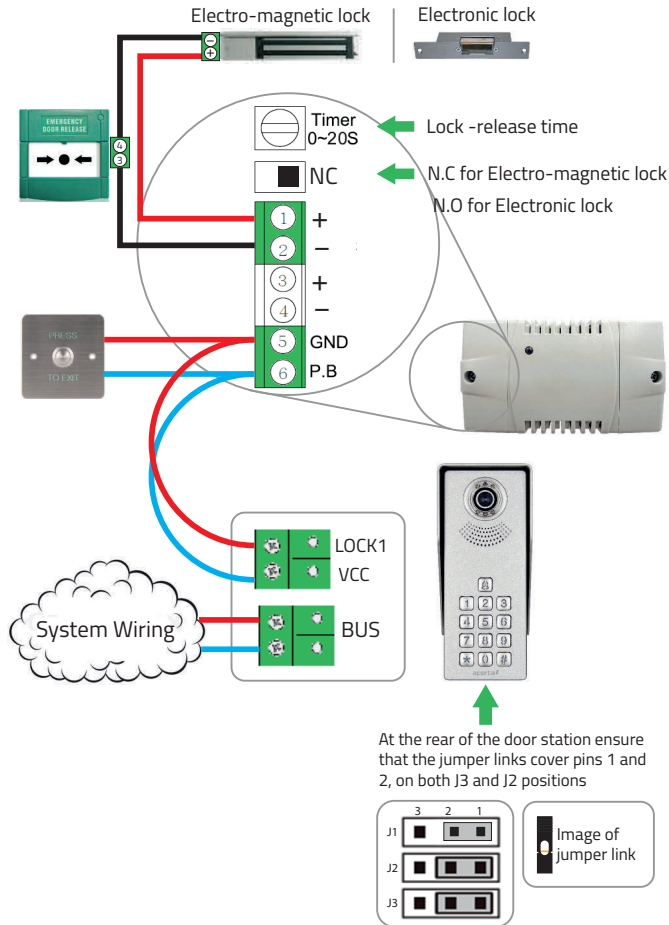
No cable or connection polarity



- 1 Only one monitor is set as the MASTER
- 2 All other monitors set as SLAVE
- 3 Refer to instructions supplied when using different version of monitor for MASTER/ SLAVE configuration

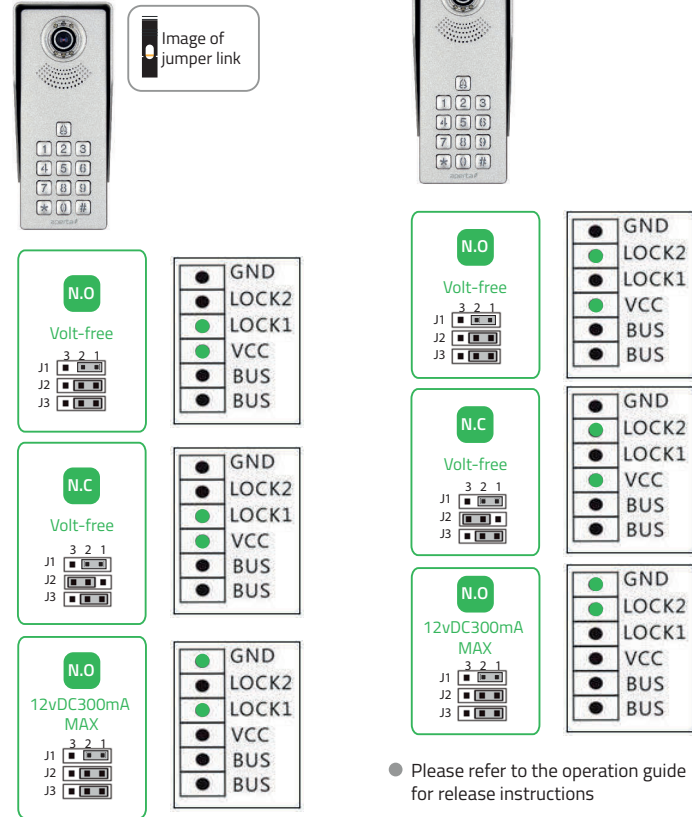


Lock Connections Example 1



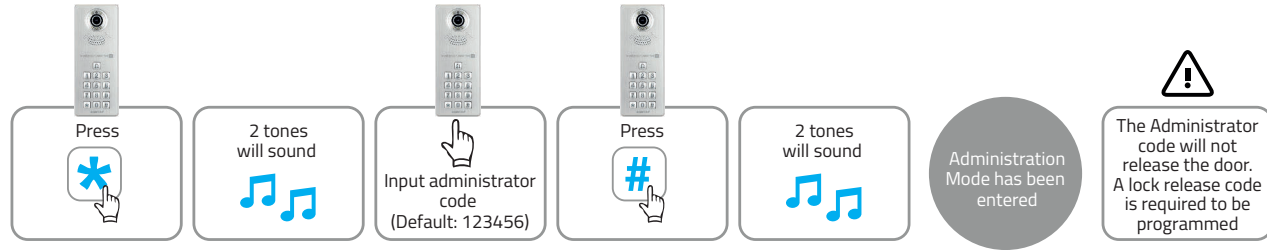
Lock Connections Example 2

- The jumpers on the rear of the door station offer different types of release modes for alternative applications dependent on the jumper link settings. LOCK1 options;
- The door station has a secondary switch. LOCK2 options;

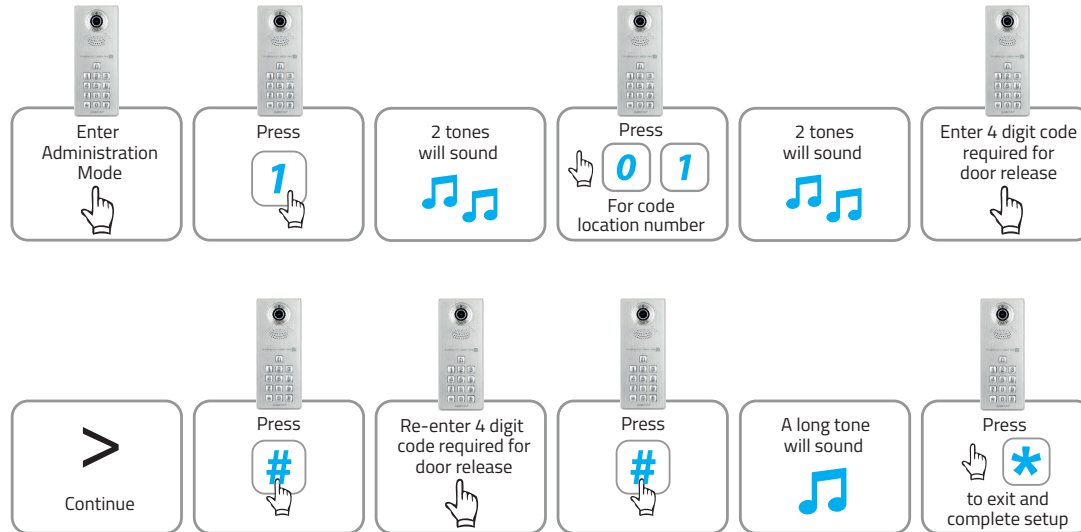


Door Station Programming Guide

Entering Administration Mode

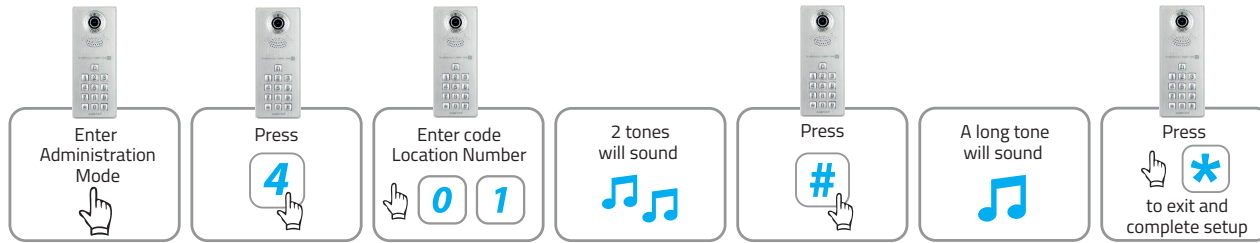


Setting a lock release code





Deleting a lock release code



Changing the Administrator code



User Guide




A



The visitor presses the call button

B



A chime will sound

C



The visitor's image will appear on the monitor

D



Press the 'Talk' button and begin conversation

Then choose between these 3 options

Press the 'Talk' button to end call	Press the 'Lock' button to release lock and press 'Talk' to end call	Press the 'Gate' button to release lock 2 and press 'Talk' to end call

Using the lock release code

Enter 4 digit lock release code	Press #	The lock will release

Installer's Guide

Master / Slave Setting

When using multiple monitors on 1 system;
Only the 1 handset set as the MASTER will display an image when the door station is activated.
All other monitors will ring, and will display the image once the 'Talk' button is pressed.

In the event of no video or audio signals coming from the monitor, or if the call button or audio cannot be activated on the door station, check the following;

- A That the system is powered sufficiently.
- B Each monitor needs to be set to a MASTER or SLAVE position
- C All system cabling is secured and properly connected.
- D All system cabling is clear of breaks or short circuits.
- E Bench test the system if the issue cannot be found.

In the event of a lock release issue, check the following;

- A The user instructions and operation of the monitor has been understood.
- B That the lock is powered sufficiently.
- C All system cabling is secured and properly connected.
- D All system cabling is clear of breaks or short circuits.
- E On the rear of the door station, ensure the lock output is switching when activated by the monitor.



Elite Security Products
Unit 7, Target Park, Shawbank Rd
Lakeside, Redditch B98 8YN



Telephone: 01527 51 51 50
Fax: 01527 51 51 43
email: info@espuk.com

E&OE - Errors and omissions excepted. A16

www.espuk.com

