



aperta 

APAUDH & APAUDHBLK | AUDIO ONLY HANDSET



USER MANUAL

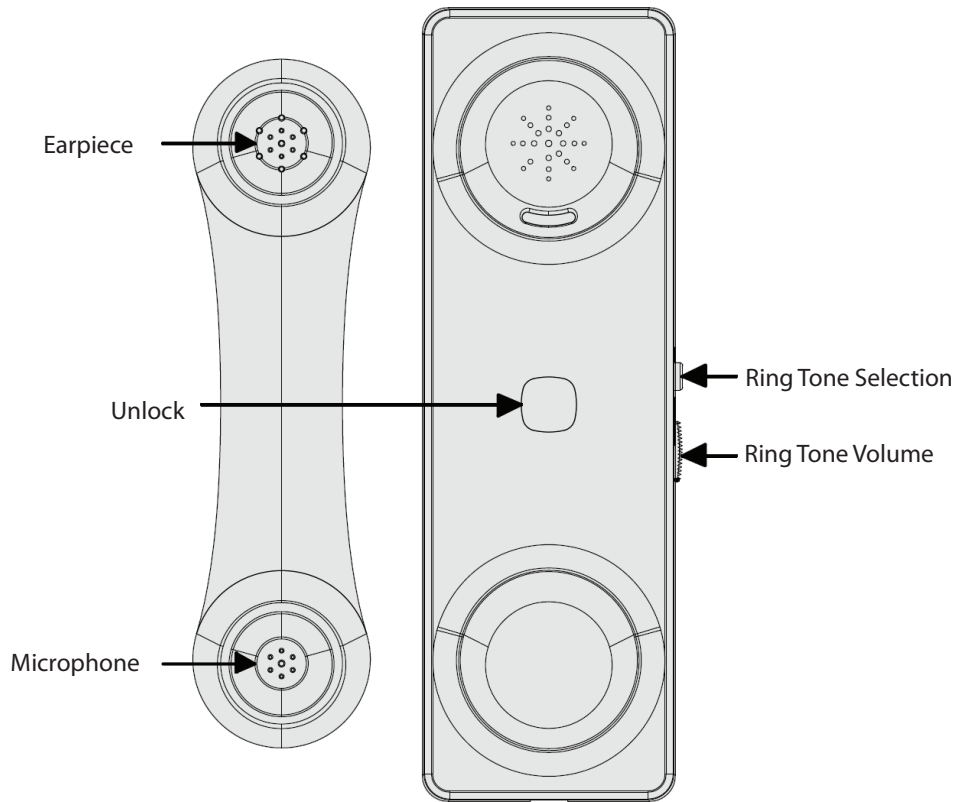


www.espuk.com



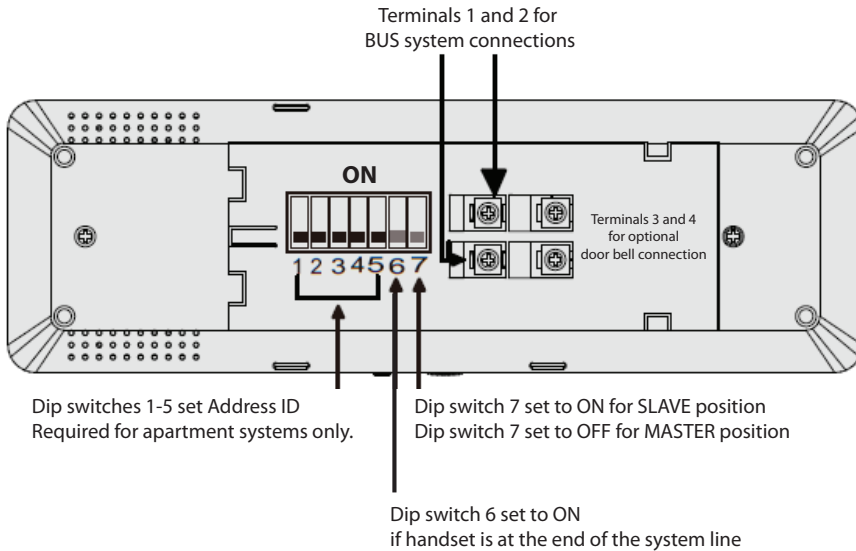


Handset Overview



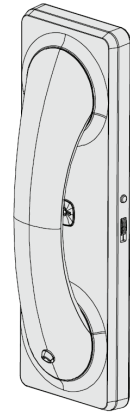
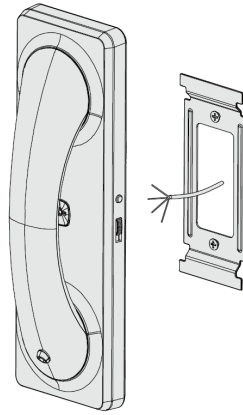
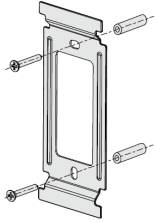


Handset Overview

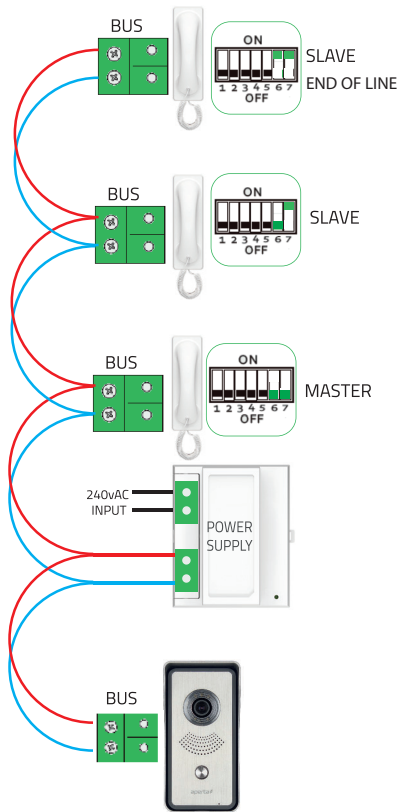





Installation




System Connections Example 1




- 1 Only one device is set as the MASTER;

MASTER= 

- 2 All other devices are set to SLAVE

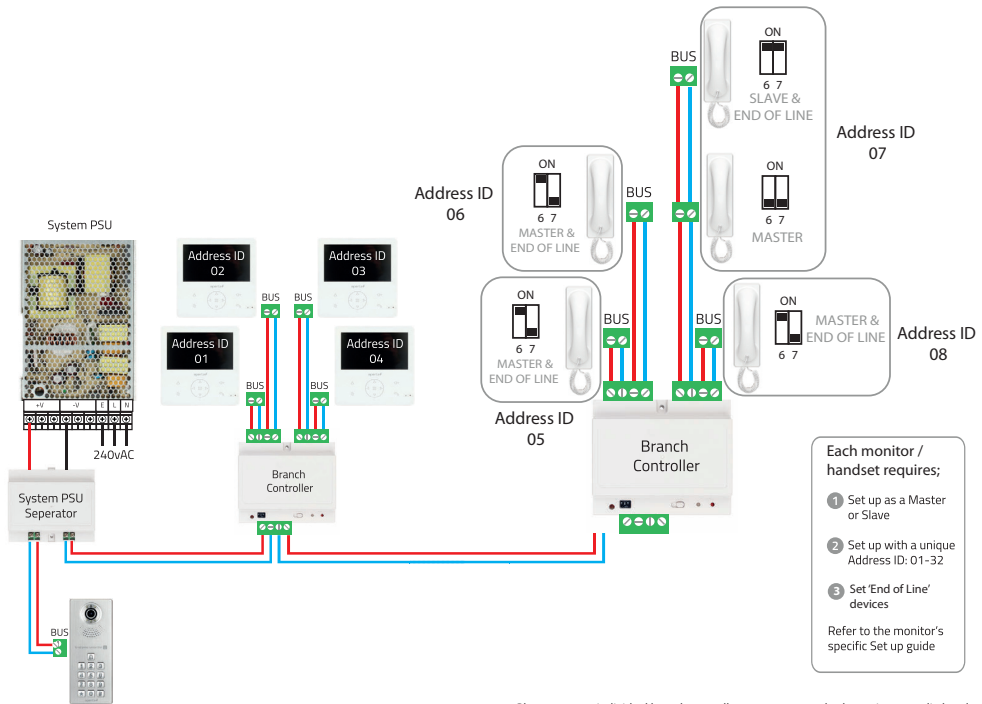
SLAVE= 

- 3 Last device on system line has dip switch 6 set to ON

END OF LINE= 

- 4 When using different style monitors on the same system, please refer to supplied instruction to configure Master , Slave and End of line position.

System Connections Example2



Please note; an individual branch controller cannot support both monitor or audio handset.



Setting the Address ID for apartment systems

Alter dip switches 1-5 on the rear of the handset to set the address ID

ON



1 2 3 4 5 6 7

OFF

Dip switch settings 1-5	Address ID	Dip switch settings 1-5	Address ID	Dip switch settings 1-5	Address ID
	01		12		23
	02		13		24
	03		14		25
	04		15		26
	05		16		27
	06		17		28
	07		18		29
	08		19		30
	09		20		31
	10		21		32
	11		22		



Elite Security Products
Unit 7, Target Park, Shawbank Rd
Lakeside, Redditch B98 8YN



Telephone: 01527 51 51 50
Fax: 01527 51 51 43
email: info@espuk.com

E&OE - Errors and omissions excepted. D17

www.espuk.com

